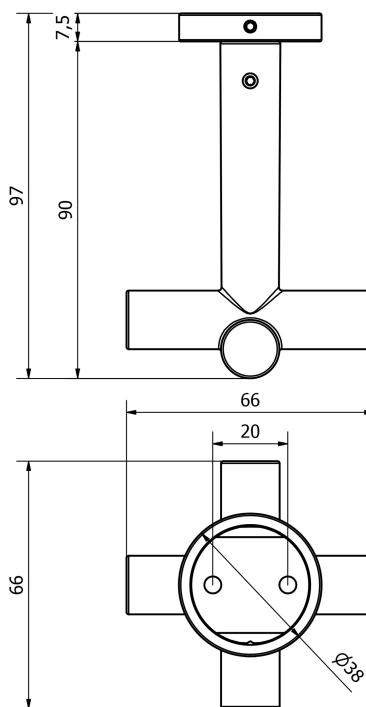


product technical sheet

collection	BUCK
code	EVBKAPPB - EVBKAPPN
description	Towel hook
certifications	TUV system certification UNI EN ISO 9001.
features	Towel hook made of zamak. Mat white RAL 9016 or mat black RAL 9011 painted.
size	66 x 66 x 97 mm
installation	Sign on the wall where to position the bushing for the fixation of the product. Make the holes, insert the fasteners and fix the bushing with the screws. Place the cover over the bushing and secure it with the grub screw. Wall fixation, with n° 2 fasteners and screws, is included in the package. Fasteners included are REVCUX6X35RS. Verify that each fastener is suitable for the type of wall on which you want to install the product; if not, replace the fasteners included in the package with the correct ones. The maximum diameter for the fixation screw is 5 mm. Insert the coat hook on the bushing with the hole upwards and fix the coat hook to the bushing with the screw provided.
finishes	Painted EVBKAPPB: mat white RAL 9016 EVBKAPPN: mat black RAL 9011
maintenance	Make a proper cleaning with water and soap, do not use aggressive, abrasive, corrosive agents, acids or acetone or diluent. Do not scratch the surface. Check periodically the correct fixation of the product and the solidity of the installation. Do not use for different purposes.
materials	Zamak, aluminum.

ST_PRODOTTO: EVBKAPPB - EVBKAPPN - REV. 01 of 31/05/2022 - 29/01/26 - APPROVED T.D.

product technical sheet



ST_PRODOTTO: EVBKAPPB - EVBKAPPN - REV. 01 of 31/05/2022 - 29/01/26 - APPROVED T.D.