

product technical sheet

4296
 Ever Life Design
 Every 44

- article code
- product family
- product line
- description
- performances
- certifications
- product features
- fixing
- care
- product composition
- accessories not included in the package
- Materials and treatments
- tolerance

Vitreous china close coupled floor standing wc.

UE 305/2011 regulation and EN 997 standard compliant

TUV system certification UNI EN ISO 9001:2008.

Height 42 cm from the floor. Suitable for wall or floor drain. For floor drain use a gooseneck bend. (not supplied). Complete with cistern, without accessories (drainage system art. 4297)

2 vertical hardware; possibility of using commercial hardware.

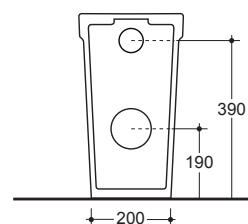
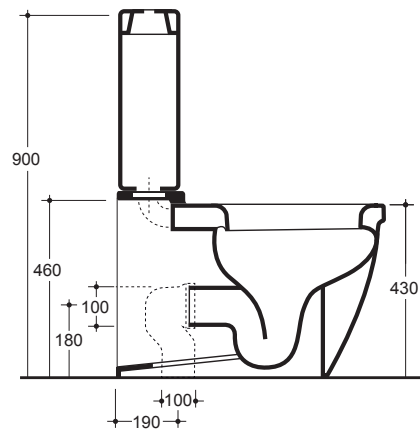
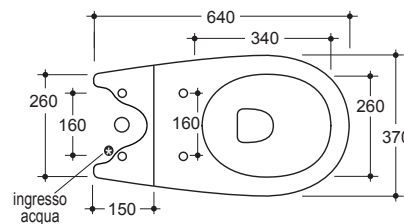
Periodically check the correct fastening of toilet..
 Clean with soap and water or other suitable products; avoid aggressive or abrasive products. Dry with a soft cloth.

WC and cistern

Seat 4299 o 4299-F (soft close), Duroplast
 Drainage system (art.4297) complete of floating valve, mechanical drainage valve, fixing elements and cistern-toilet connection pipe.
 Drainage pipe.
 Floor fixing elements.

Vitreous china

General tolerance +/- 5 %



ST_PRODOTTO: 4296 - REV.00 - 13/06/2017 - APPROVED T.D.

The above mentioned information cannot be considered as binding. Thermomat Saniline srl reserves the right to make technical and aesthetic changes without any prior notice.

Ever by Thermomat Saniline s.r.l. | Mantova | Italy

www.everlifedesign.it

