

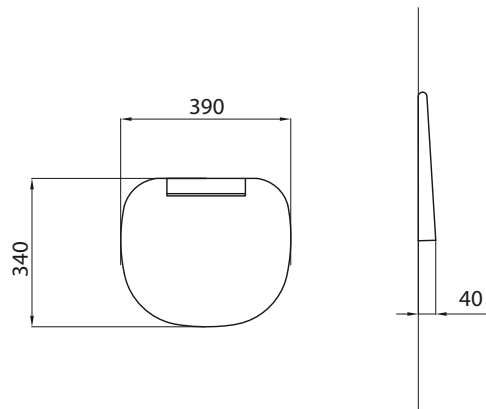
product technical sheet

ST-RIPGR - ST-RIPBC

Ever Life Design

Style - Eclipse

article code	
product family	
product line	
description	Shower folding seat, soft.
performances	Maximum load: 120 kg.
certifications	TUV system certification UNI EN ISO 9001:2008.
product features	Wall mounting plate made of brushed stainless steel. Soft polyurethane folding seat. It offers the advantage of having a soft and comfortable seat in a very small space (40 mm width) when not in use. The seat must be used only for the purposes provided for; do not stand upright on the seat.
fixing	Wall mounting by n° 4 plugs. Plugs are not included in the package. Choose suitable plugs according to the type of wall. Mount the wall fixing plate with its protruding part facing upward; install the seat from below; fasten the plate's lower part by means of the 4 screws included; check that the seat moves correctly.
maintenance	Check the correct fastening of the accessories periodically. Perform a proper cleaning with water and soap, do not use abrasive or corrosive agents or coarse sponges.
materials	N° 1 Wall mounting plate (2 pieces, connection screws included) - stainless steel AISI 304 - Brushed N° 1 Seat - Soft polyurethane
notes	ST-RIPGR - Anthracite ST-RIPBC - White



ST_PRODOTTO: ST-RIPGR - ST-RIPBC- REV.00 - 30/03/2016 - APPROVED T.D.

The above mentioned information cannot be considered as binding. Thermomat Saniline srl reserves the right to make technical and aesthetic changes without any prior notice.

Ever by Thermomat Saniline s.r.l. | Mantova | Italy

www.everlifedesign.it

