

product technical sheet

EVRGMSBC-EVRGMSNO
Ever Life Design
RING

- article code
- family
- line
- certifications
- features of the product
- technical details
- materials
- finishes
- installation
- maintenance

Certification TUV of system UNI EN ISO 9001

Single shelf made in iron with fixing system in beechwood

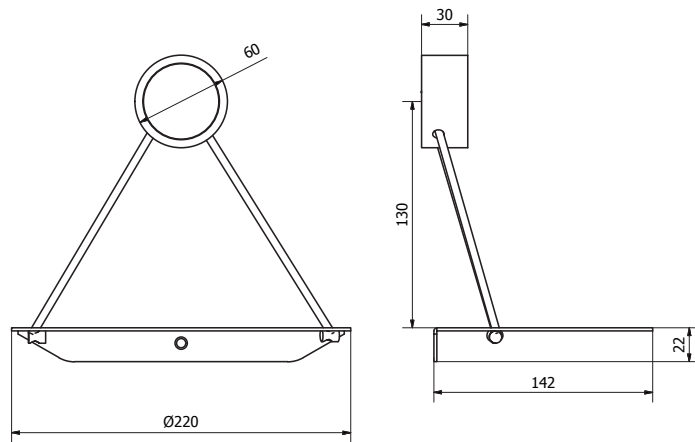
Wall mounted fixing system, through an appropriate plug, not included

Beechwood, nylon, iron.

White shelf RAL9016
 Black shelf RAL9011

Unpack the product, remove the wood lid, clamp the product with a flaring screw (not included) in the position wanted; remove the protective film, on the back of the lid and stick it in the designed slot. Fix the shelf to the wall using the designated hole, or with the double-sides tape supplied. Arrange silver locks under the shelves and close them adequately

Make a proper cleaning with water and soap, do not use aggressive cleaning products, abrasive, corrosive, acid, acetone, diluent etc. Do not scratch the painting surface. Check periodically the correct fixing and the strength of the installation. Do not use the product for different purposes than those intended.



ST_PRODOTTO: EVRGMSBC-EVRGMSNO - REV.00 - 22/06/2018- APPROVED T.D.

The above mentioned information cannot be considered as binding. Thermomat Saniline srl reserves the right to make technical and aesthetic changes without any prior notice.

Ever by Thermomat Saniline s.r.l. | Mantova | Italy

www.everlifedesign.it